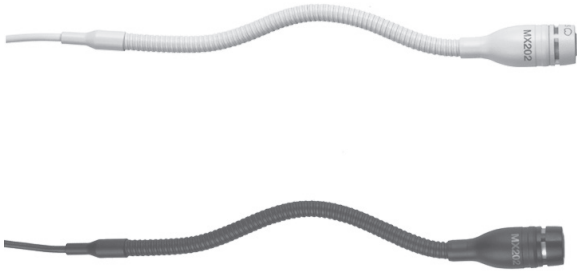


### MODEL MX200 SERIES MICROPHONES



### FEATURES

- Wide dynamic range and frequency response for accurate sound reproduction across the audio spectrum
- Interchangeable cartridges that provide an optimal polar pattern choice for each application
- Supplied stand-mount adapter for portable applications (in-line preamplifier versions only)
- White or black finish that blends unobtrusively with most surroundings
- New RF filtering

### SPECIFICATIONS

#### Frequency Response (Figure 1)

50 to 17,000 Hz

#### Polar Pattern (Figure 2)

#### Output Impedance

EIA Rated at 150 Ω (180 Ω actual)

#### Sensitivity (At 1,000 Hz, open circuit voltage\*)

Cardioid: -35.0 dBV/Pa (17.8 mV)

Supercardioid: -33.5 dBV/Pa (21.1 mV)

Omnidirectional: -27.5 dBV/Pa (42.2 mV)

\*1 Pascal = 94 dB SPL

#### Maximum SPL (1 kHz at 1% THD, 1 kΩ load)

Cardioid: 124.2

Supercardioid: 122.7 dB

Omnidirectional: 116.7 dB

#### Equivalent Output Noise (A-weighted)

Cardioid: 28.0 dB SPL

Supercardioid: 26.5 dB SPL

Omnidirectional: 20.5 dB SPL

#### Signal to Noise Ratio (referenced at 94 dB SPL)

Cardioid: 66.0

Supercardioid: 67.5 dB

Omnidirectional: 73.5 dB

#### Dynamic Range at 1 kΩ Load

96.2 dB

#### Common Mode Rejection

45.0 dB minimum

#### Preamplifier Output Clipping Level (1% THD)

-6.0 dBV (0.5 V)

#### Polarity

Positive sound pressure on diaphragm produces positive voltage on pin 2 relative to pin 3 of output connector.

#### Power Requirements

11 to 52 Vdc phantom, 2.0 mA

#### Environmental Requirements

Operating Temperature Range:

-18° C to 57° C (0° F to 135° F)

Relative Humidity: 0 to 95%

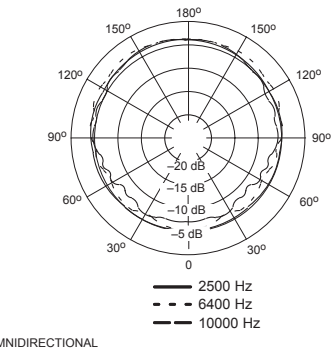
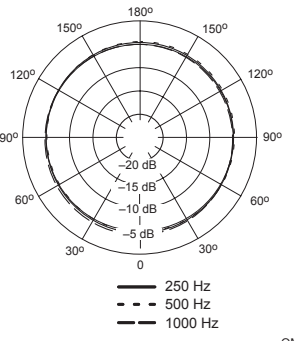
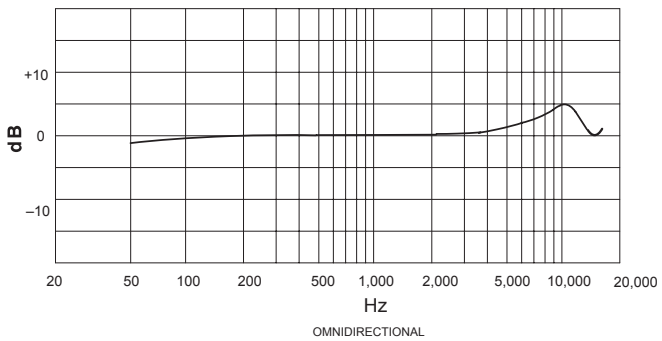
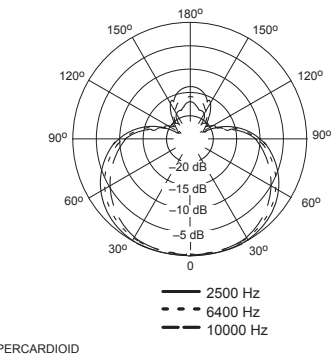
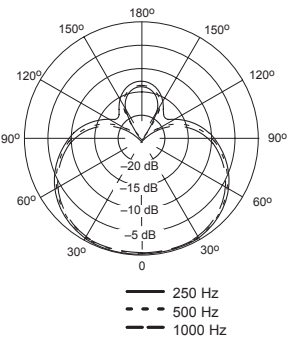
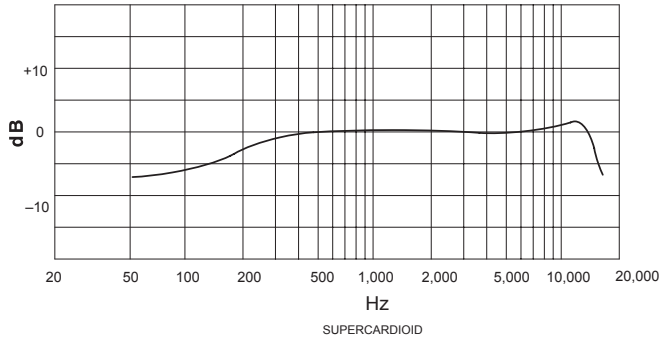
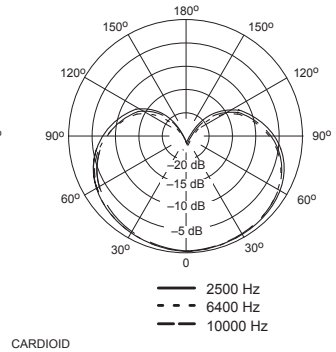
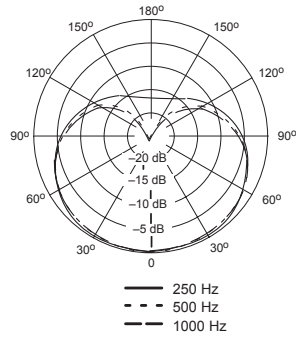
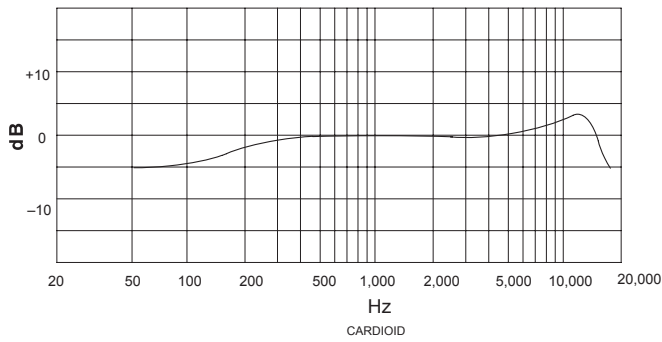
Dimensions (Figure 3)

### CERTIFICATION

Eligible to bear CE Marking. Conforms to European EMC Directive 89/336/EEC. Meets applicable tests and performance criteria in European Standard EN55103 (1996) parts 1 and 2, for residential (E1) and light industrial (E2) environments.

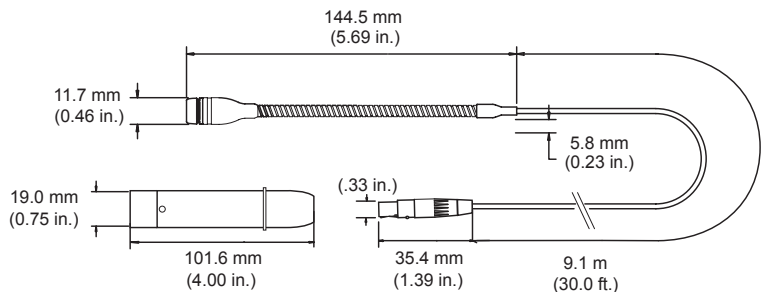
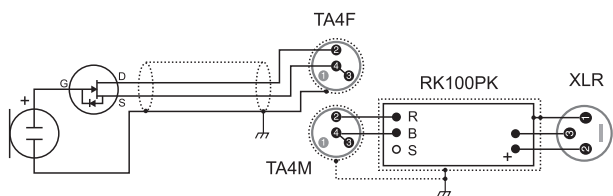
### REPLACEMENT PARTS

Omnidirectional Cartridge (Black)	.....R183B
Omnidirectional Cartridge (White)	..... R183W
Supercardioid Cartridge (Black)	.....R184B
Supercardioid Cartridge (White)	..... R184W
Cardioid Cartridge (Black)	.....R185B
Cardioid Cartridge (White)	..... R185W
Snap-Fit Windscreens (Black, 4 per pkg)	..... RK183WS
In line preamplifier (Black)	..... RK183PK
Preamplifier kit, plate mounted	..... RK202PK
Stand Adaptor	..... 65B1752
In-Line Preamplifier (Black)	.....RK100PK/B
In-Line Preamplifier (White)	..... RK100PK/W



TYPICAL FREQUENCY RESPONSE  
FIGURE 1

TYPICAL POLAR PATTERNS  
FIGURE 2



DIMENSIONS  
FIGURE 3



SHURE Incorporated <http://www.shure.com>  
 United States, Canada, Latin America, Caribbean:  
 5800 W. Touhy Avenue, Niles, IL 60714-4608, U.S.A.  
 Phone: 847-600-2000 U.S. Fax: 847-600-1212 Int'l Fax: 847-600-6446  
 Europe, Middle East, Africa:  
 Shure Europe GmbH, Phone: 49-7262-92490 Fax: 49-7262-9249114  
 Asia, Pacific:  
 Shure Asia Limited, Phone: 852-2893-4290 Fax: 852-2893-4055